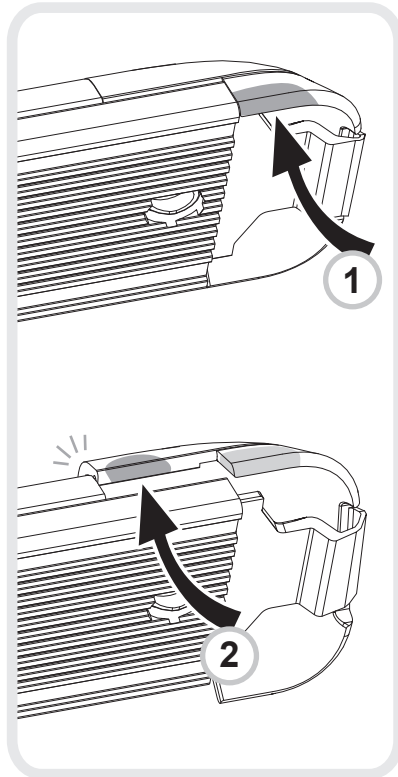
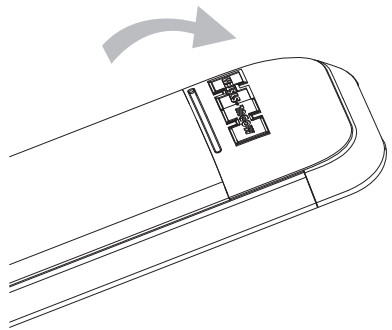
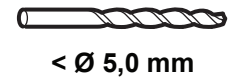
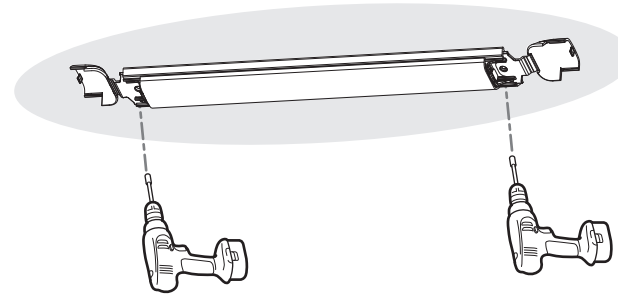


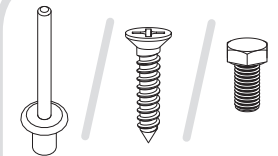
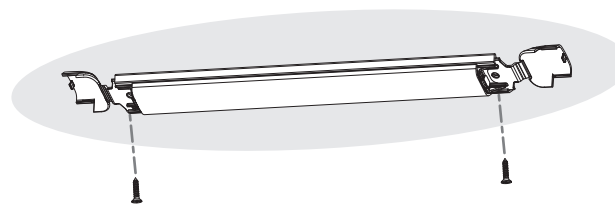
1



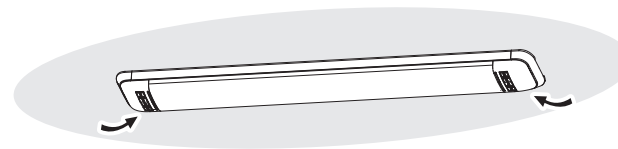
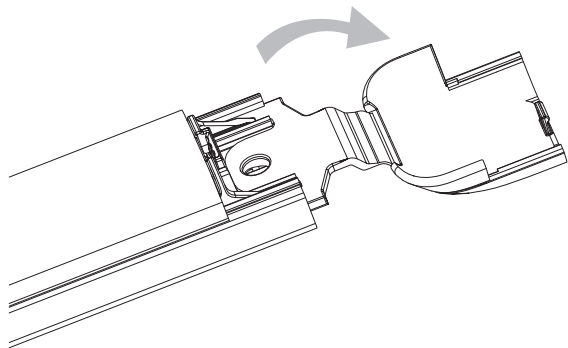
2



3



< Ø 5,0 mm





# Modul-System Ambient/Workbench Light

## Technical specification

Part number Description	19701-03 Ambient/Workbench light 324	19702-03 / 19702-032 Ambient/Workbench light 648	19703-03 Ambient/Workbench light 972
Total length (mm)	334	658	982
Total width (mm)	38	38	38
Total height (mm)	13	13	13
Weight (g)	127	262	381
Power supply (V)	12	12	12
Power (W)	4	8	12
Lumens (lm)	230	500	890
Color temperature (K)	4300	4300	4300
Light spread angle	120°	120°	120°
Installation	2x screws or rivets 4,8 mm.		
Mtrl specification - housing	Aluminum, polycarbonate, polypropylene.		
IC	IC is a "constant current source". This means that the LED brightness will stay constant, even when the power supply fluctuates (interval of 11-16V).		
EMC	Tested for electromagnetic compatibility (EMC) according to UN ECE Regulation No. 10.04. 04.		
ESD	Tested for immunity to electrostatic discharge (ESD). ESD tests according to EN 61000-4-2.		
CE	CE marked. Tests were based on EN 50498:2010, product family standard for aftermarket electronic equipment in vehicles and additional RF immunity tests according to UN ECE Regulation No. 10.04. 04.		