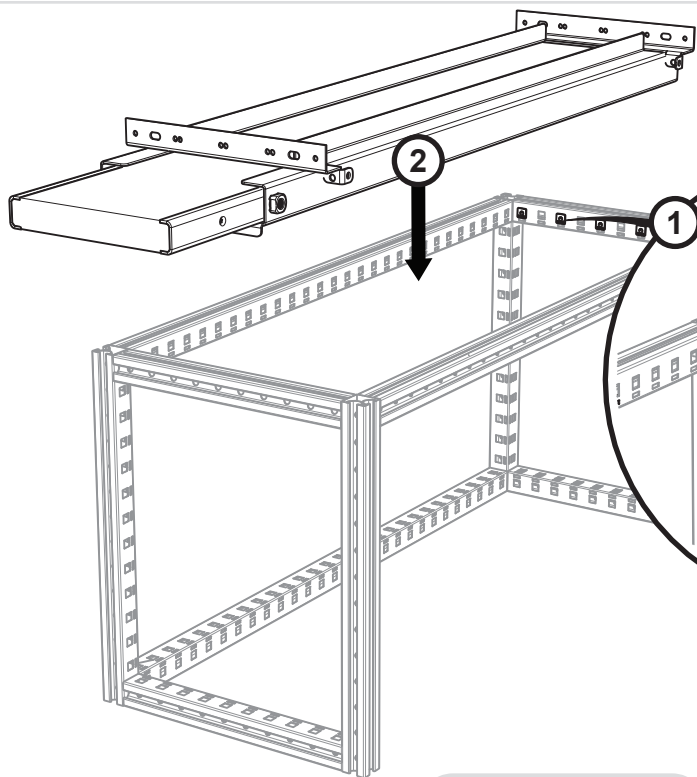


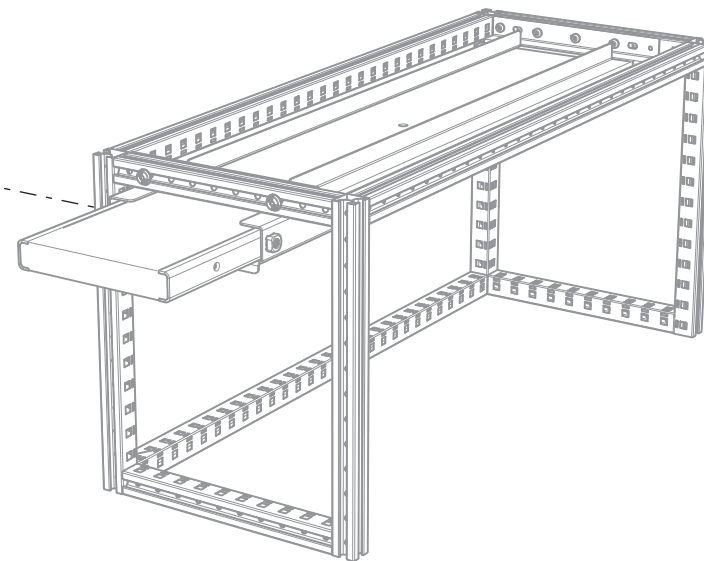
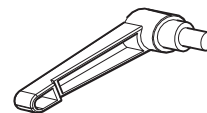
1



4x



3

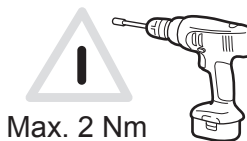
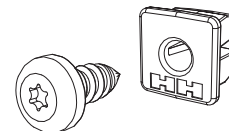
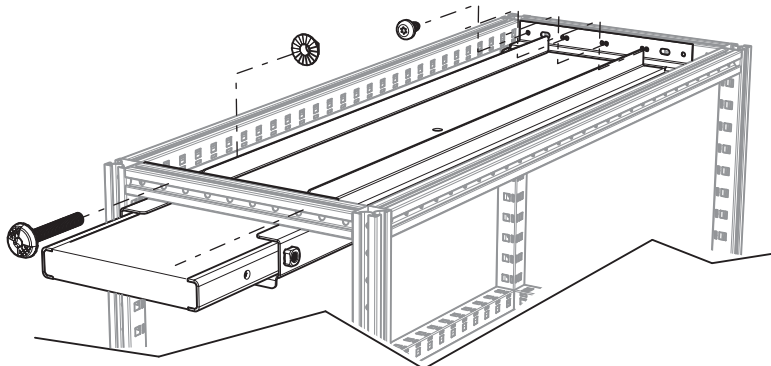


2



2x (M6 x 40)

4x



Max. 2 Nm

